

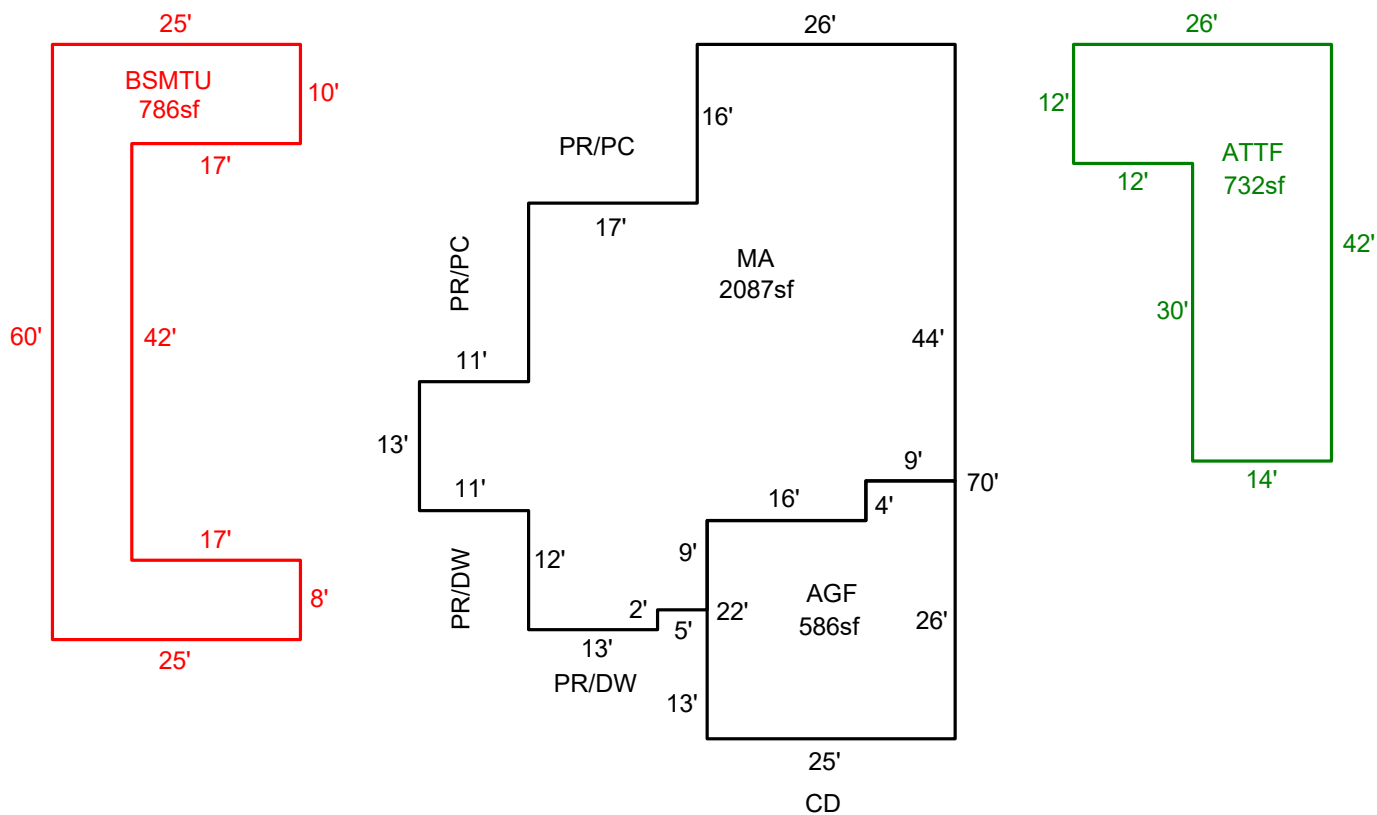
SKETCH/AREA TABLE ADDENDUM

SUBJECT INFO

File No.: 331355 Parcel No.: 091W11AD02200
 Property Address: 1145 28TH AVE
 City: Stayton County: Marion State: OR ZipCode: 97383
 Owner:
 Client: Client Address:
 Appraiser Name: Inspection Date:

SKETCH

331355
091W11AD02200



Sketch by ApexSketch

AREA CALCULATIONS SUMMARY						COMMENT TABLE 1	
Code	Description	Factor	Net Size	Perimeter	Net Totals		
GLA	MA	1.0	2087.0	226.0	2087.0	DRAWN BY SL UPDATED BY SH 8-12-09 UPDATED BY LK 2.28.25 Updated by AE 10.27.25 Updated by AE 1.8.26	
GLA2	ATTF	1.0	732.0	136.0	732.0		
BSMT	BSMTU	1.0	786.0	204.0	786.0		
GAR	AGF	1.0	586.0	102.0	586.0		
<p style="text-align: center;">Net LIVABLE cnt 2 (rounded) 2,819</p>						COMMENT TABLE 2	COMMENT TABLE 3
						6/30/16 #72 NV-Cycle 2.25.25 Cycle GM 12-19-25 GM	